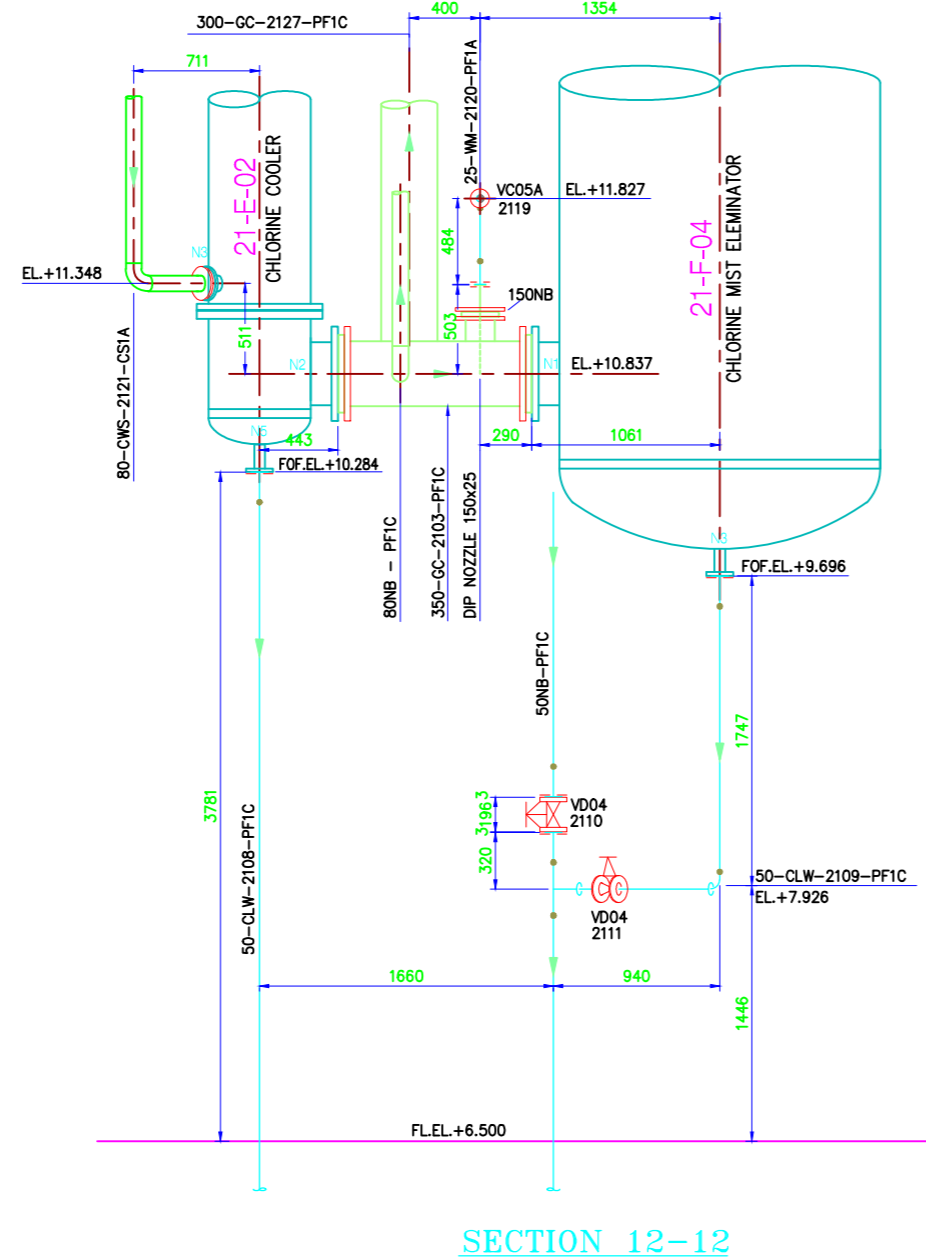
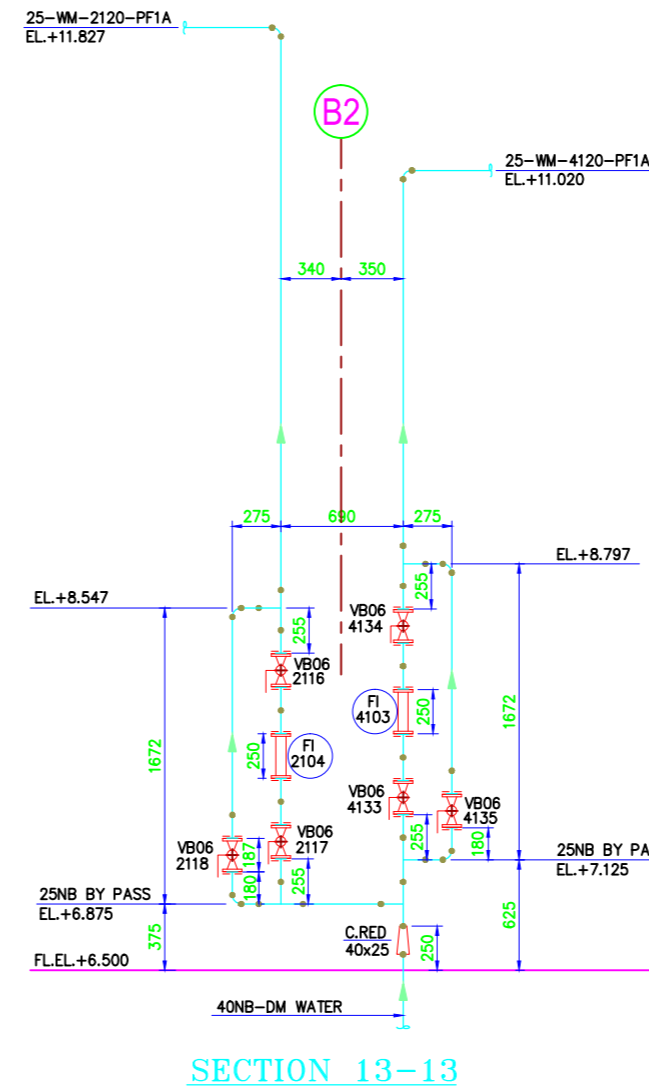


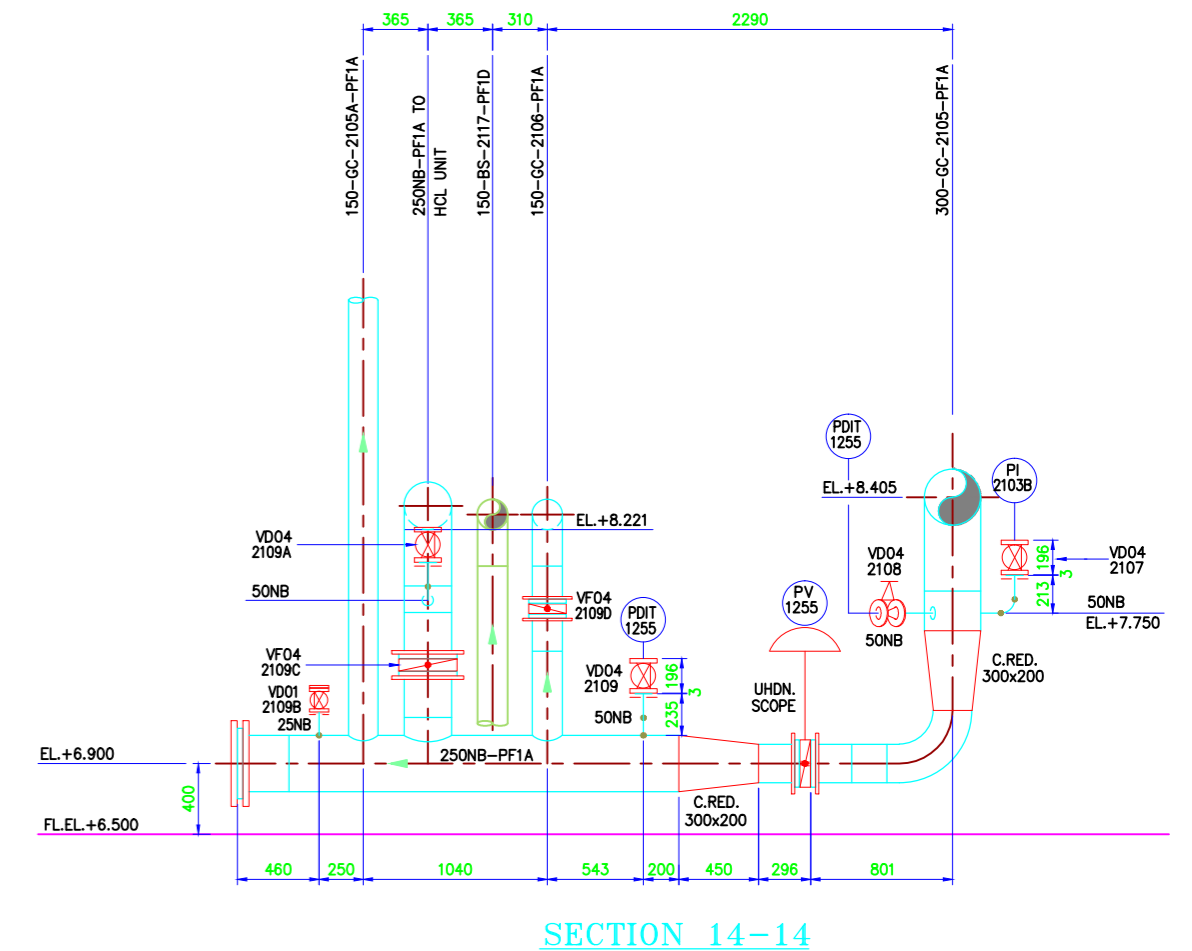
SECTION 11-11



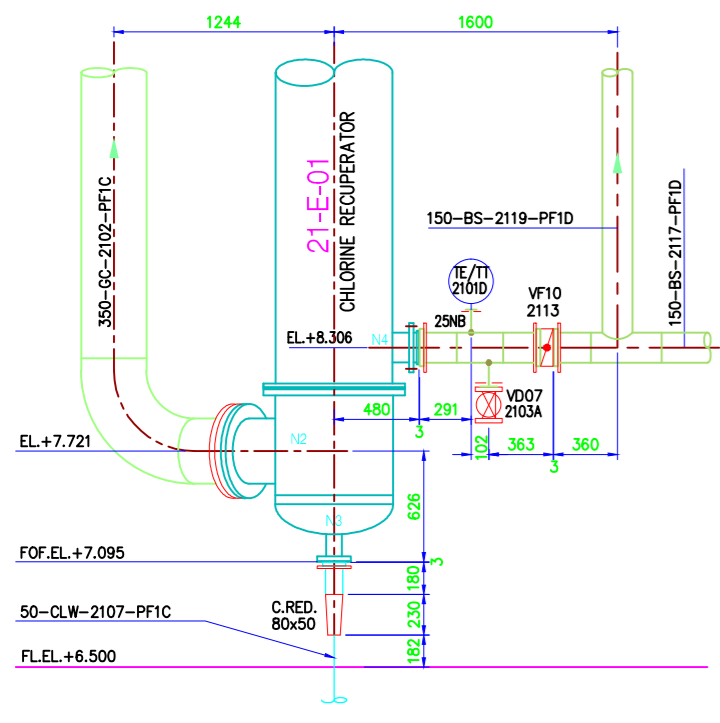
SECTION 12-12



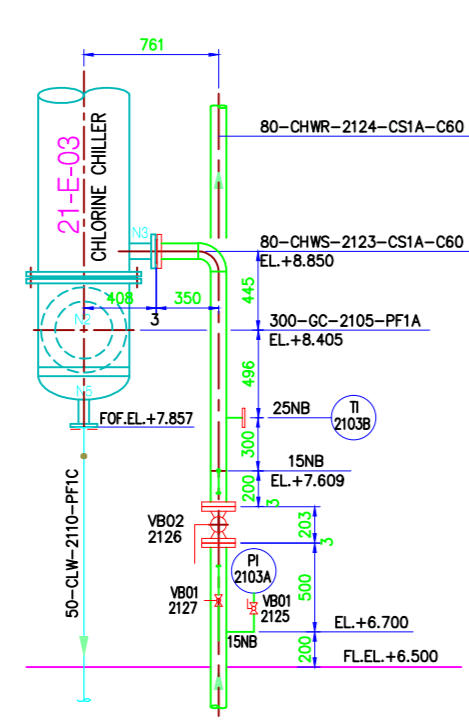
SECTION 13-13



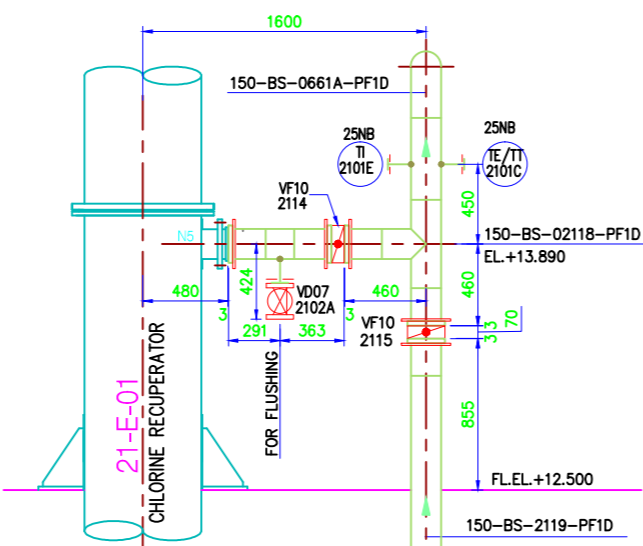
SECTION 14-14



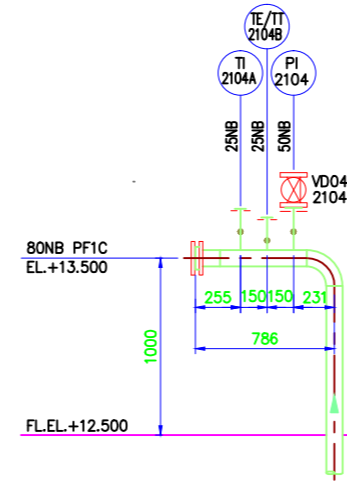
SECTION 15-15



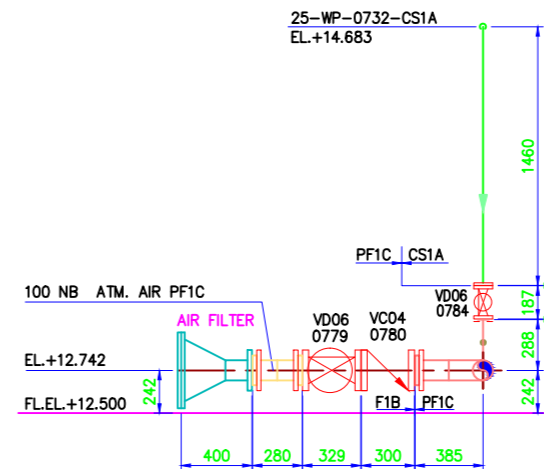
SECTION 16-16



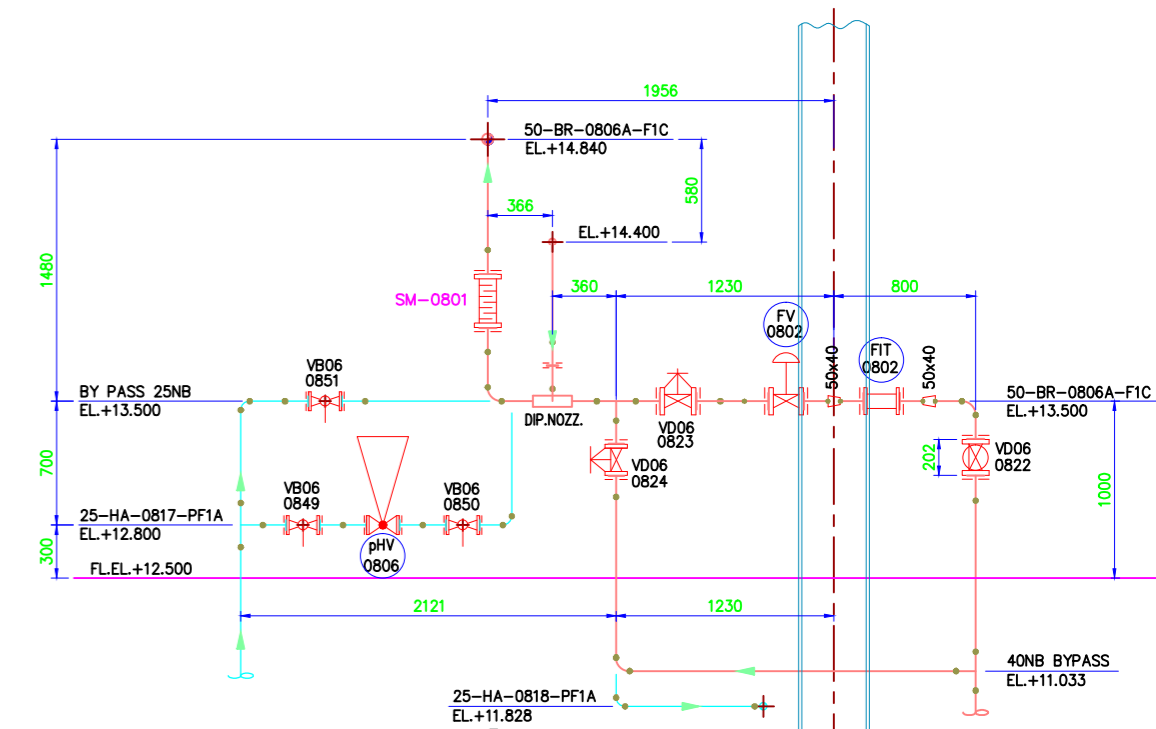
SECTION 17-17



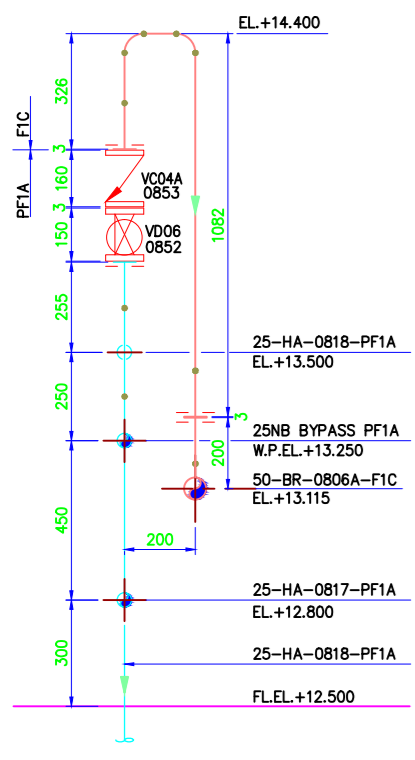
SECTION 18-18



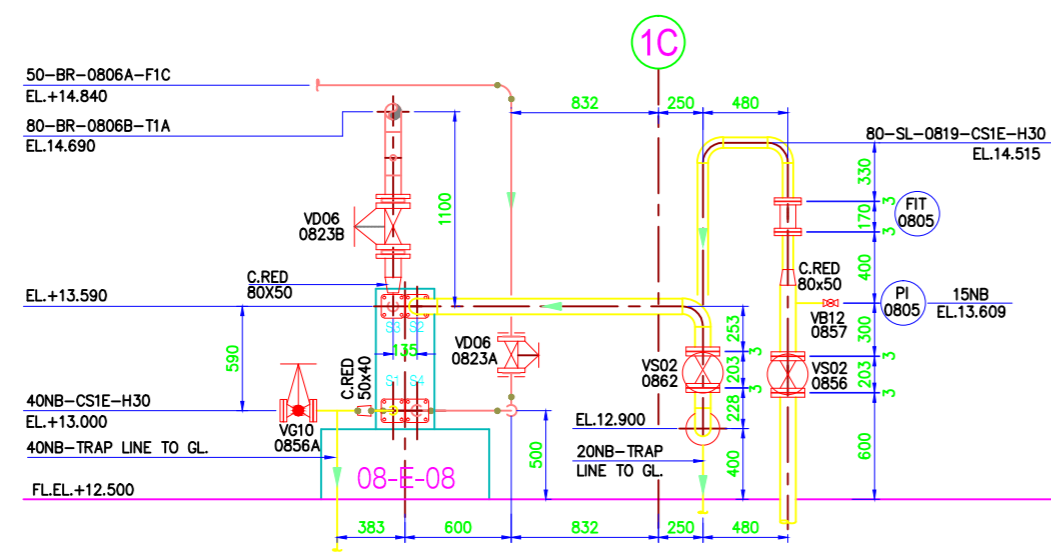
SECTION 19-19



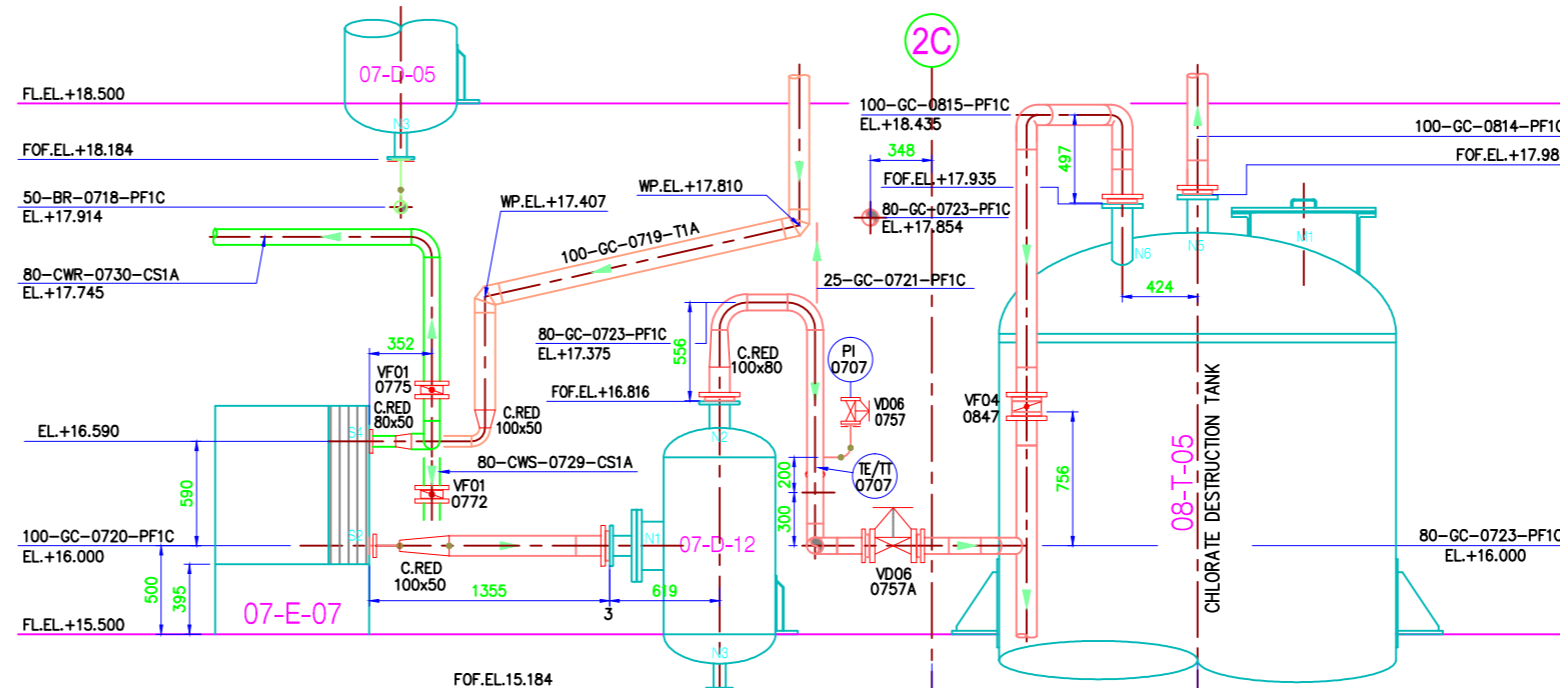
SECTION 20-20



SECTION 21-21



SECTION 22-22



SECTION 23-23

- NOTES:
1. ALL DIMENSIONS ARE IN MM. & ALL ELEVATIONS ARE IN M. UNLESS OTHERWISE SPECIFIED.
 2. FINISHED FLOOR LEVEL ELEVATION +0.500M
 3. REFERENCE PIPING LAYOUT PLAN DWG. No. PC-21018-1

Protech Consultants Pvt. Ltd.,
OFFICE: 173, T.T.K ROAD ALWARPET CHENNAI-600 018

PIPING SECTIONAL VIEW